

UNITED®

Portable gas stove Instructions Manual



Model: PGC-2324

Read and save these instructions for future reference

PRODUCT FEATURES

- 2X2.3KW(166g/h)
- Rotary piezo ignition
- Pressure sensing safety shut-off device
- Convenient storage/carry box
- Only for outdoor use
- Uses standard butane cartridge
- For outdoor use only



WARNING: carbon monoxide

Only for outdoor use

HAZARD: this appliance can produce carbon monoxide which has no odor.

Using it in an enclosed space (for example, caravan, tent, car, mobile home) may cause death.

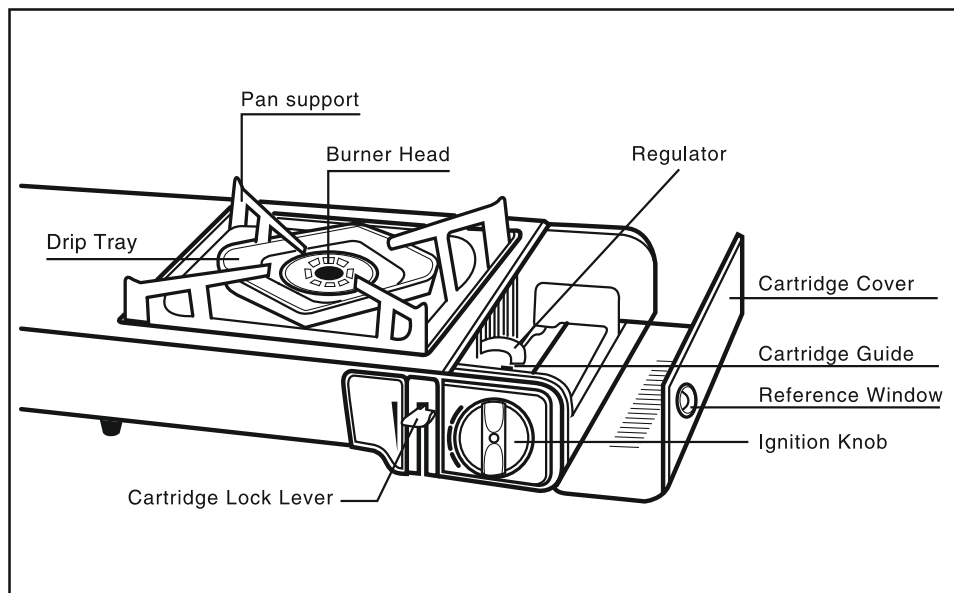
DO NOT use oversized cooking devices (14cm-19cm diameter).

DO NOT use as space heater or for any purpose other than cooking.

IMPORTANT:

Read these instructions for use carefully. Familiarize yourself with the appliance before connecting it to its gas container. Keep these instructions for future reference. The butane gas cartridge is certified to EN 417 or equivalent. It may be hazardous to attempt to fit other type of gas containers. Remove any transit protection material.

PARTS LIST



TO START

Inserting the gas cartridge

1. Turn the ignition knob to OFF and set the cartridge lever to UNLOCK. (Fig 1)

Note: if the ignition knob is ON the gas cartridge cannot be loaded into the cooker.

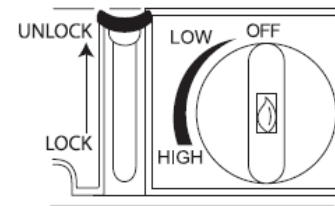


Fig. 1

2. Open the cartridge cover: slide the gas cartridge, top end first and with its notch up, into the compartment. Align the notch with the loading guide in the compartment. (Fig 2)

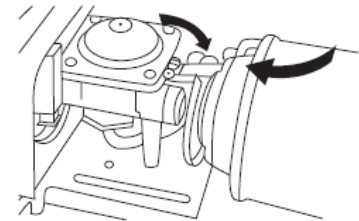


Fig. 2

Check that the seals between the appliance and the gas container are in place and in good condition before connecting the gas container.

DO NOT use this appliance if it has damaged or worn seals.

DO NOT use this appliance if it is leaking, damaged or does not operate properly

3. Push the cartridge lock down to LOCK in one firm motion (Fig 3)

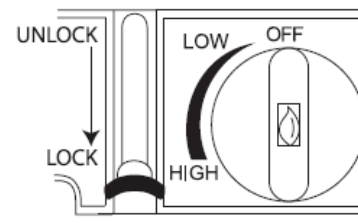


Fig. 3



WARNING!

THE OPENINGS AT THE BASE OF THE BURNER PROVIDE AIR FOR COMBUSTION, SHOULD NEVER BE OBSTRUCTED. IF THE FLAME BECOMES SIGNIFICANTLY ORANGE CHECK THESE OPENINGS FOR A BLOCKAGE.

IF THE APPLIANCE CANNOT BE ADJUSTED TO PERFORM CORRECTLY IT SHOULD NOT BE USED UNTIL SERVICED OR REPAIRED.

LIGHTING THE COOKER

1. Turn the knob anti-clockwise past the high position until a click is heard.
2. If the burner fails to light, immediately turn the ignition knob to the OFF position and repeat step 1.

TO ADJUST HEAT

1. Flame can be controlled by turning the ignition knob between the LOW and HIGH position.

TO SHUT OFF

1. Turn the ignition knob to shut off fuel supply (Fig 5). Wait until the flame is fully extinguished before performing the next step.
2. Raise the cartridge lock lever to UNLOCK and remove the gas cartridge from the compartment.

Note: do not leave the gas cartridge inside the unit when not in use.

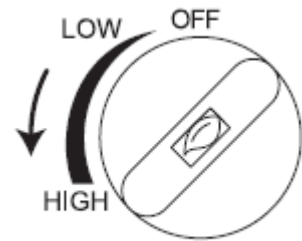


Fig. 4

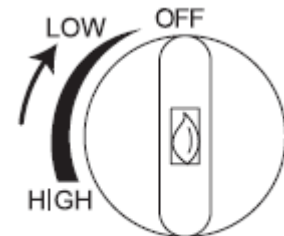


Fig. 5

***The cartridge may be disconnected even if some gas remains.**

***Check the contents by shaking and listening for the liquid gas.**

Gas containers shall only be changed in a well-ventilated location, preferably outside, away from people and away from sources of ignition; such as naked flames pilot, electric heaters/ equipment.

If there is a leak on your appliance (smell of gas) and you cannot stop the gas flow, remove the appliance to a well-ventilated location away from any ignition source. Only check for leaks outdoors using soapy water. Do not try to detect leaks using a flame.

This appliance must only be serviced by an authorized person.

AFTER USE

1. Replace the cap on the gas cartridge after removing it from the unit. Store upright in a cool dry place.
2. Make sure the burner is cool to touch before packing the unit away.
3. Do not store the cartridge near other flammables.

DO NOT store the cartridge near sources of heat or direct sunlight.

DO NOT store in the glove compartment or boot of your car.

DO NOT puncture or incinerate empty cartridges.

HANDLING WHEN THE AUTOMATIC SAFETY SHUT-OFF DEVICE IS ACTIVATED

1. When used in high temperature areas, such as the beach during summer or in a hot room, the internal pressure of the cartridge may rise to more than 7kg/cm^2 (normal pressure $\approx 3\text{-}4\text{kg/cm}^2$). This will activate the automatic safety shut-off device inside the regulator.

2. Remove the gas cartridge from the compartment. Push the nozzle inward to release internal pressure and place in a cool or shady area.
3. Turn the ignition knob to ON to release any excess gas inside the regulator. Repeat the 3 steps for inserting the gas cartridge after it has cooled down.

SAFETY TIPS

DO

- Turn gas off at ignition knob after use.
- Check that the burner is fully extinguished before disconnecting the gas container.
- Remove the gas container outside and away from people.
- Change the gas container outside and away from people.
- Check the seals before connecting a new gas container to the appliance.
- Always remove the cooker from the carry box prior to use.
- Keep children away from this appliance
- Make sure there is adequate ventilation under the unit.
- Only operate on flat, horizontal surfaces
- Use the cooker in cool places or in the shade. Keep the cartridge compartment out of direct sunlight.
- Always check the gas cartridge position inside the compartment for leaks. If a leak occurs, turn off the supply and remove the gas cartridge.

DO NOT

- Do not operate in an enclosed area without ventilation
- Do not operate in a boat, caravan or tent
- Do not modify this appliance.
- Do not use the cooker in sand or on gravel surfaces
- Do not move the cooker while it is lit.
- Avoid using the cooker in very windy conditions.
- Do not use a cooking pan that is smaller than 14cm and larger than 19 cm in diameter
- Do not use the appliance as a room heater or clothes drier.
- Do not place articles on or against this appliance.
- Do not place chemicals or flammable materials or spray aerosols near this appliance.

CARE AND CLEANING:

- The outside of the cooker can be wiped clean with a mild solution of dishwashing detergent and finished off with a dry cloth. Do not use abrasive pads.
- The drip pan can be washed thoroughly. Always dry after washing.
- We recommend the burner head to be cleaned by gentle scrubbing with a dry brush at least annually. Ensure that the burner ports are free of any obstructions.
- Occasionally clean the point of the piezo plug with a hard brush.

Keep this appliance away from combustible materials

Minimum clearances: rear 600mm-side 600mm- top 500mm

Gas consumption: 2x2.3kw(166g/h)

Injector size: 0.56mm

Troubleshooting :

Problem Cause	No ignition	No burning	flame Unstable	flame Uneven	Slow burning	Gas smell	Stopped working while in use	Continued burning	solution
Lack of fuel	▪	▪			▪		▪		Replace cartridge
Piezo plug dirty	▪								Clean spark point
Dirty burner	▪	▪	▪	▪	▪				Clean burner
Cartridge misaligned	▪	▪	▪		▪	▪			Reset correctly
Dirty burner or empty cartridge	▪	▪		▪	▪				Request for inspection/ service
Faulty knob mechanism	▪					▪		▪	Request for inspection/ repair
Internal gas pressure too high							▪		Cool down gas
Safety device activated	▪							▪	Request for inspection/ service
Improper setting of spark point	▪								Set spark point to 2mm away from burner

NOTICE ABOUT RECYCLING



Your product is designed and manufactured with high quality materials and components which can be recycled and reused. This symbol means that electrical and electronic equipment, at their end-of-life, should be disposed of separately from your household waste. Please dispose of this equipment at your local community waste collection/ recycling centre.

In the European Union there are separate collection systems for used electrical and electronic products.

Please help us to conserve the environment we live in!

DECLARATION OF CONFORMITY

Herewith, Amiridis-Savvidis S.A. states that this product, complies with the requirements of below directives:

Gas Appliance Directive 2009/142/EC

The detailed declaration of conformity can be found at

www.united-electronics.gr



Exclusive importer in Greece:

Amiridis – Savvidis S.A.

87A, 17th Noemvriou str, P.C. 55534

Thessaloniki – Greece

T: +302310944944 | F: +302310944940

www.amiridis-savvidis.gr

www.united-electronics.gr